



Weather House

Introduction

In 2015, the Weather House, WetterOnline's headquarter, was newly erected at the river port in Bonn, directly behind the Bonn docks and overlooking the Siegaue Nature Reserve. The building was planned with special attention to the symbiosis of the nearby river Rhine's ecosystem and the structure's energy supply. One façade was equipped with BIPV modules provided by SUNOVATION.

([Sunovation](#))

Aesthetic integration

The BIPV modules offer homogeneous and straight dark surfaces. Coloured through double screen printing technique, they present an anthracite appearance. The adopted frameless curtain wall system makes the mounting system invisible.

Energy integration

The BIPV modules are estimated to produce around 8.6 MWh per year.

Technology integration

Initially planned with thin-film PV technology, the façade was then realized with monocrystalline solar cells. The 330 integrated modules ([eFORM color](#)) are glass-glass panels of 20 different sizes, supported by a backside glued frame.

PROJECT DATA

Project type	new construction
Building use	office
Building address	Karl-Legien-Straße 194a, Bonn, Deutschland

BIPV systems

BIPV SYSTEM DATA

Architectural system	Kaltfassade
Integration year	2015
Active material	monokristallines Silizium
Module transparency	opaque
Module technology	glass-glass, hidden PV, customized modules
System power [kWp]	16
System area [m²]	210
Modules orientation	Süden-Westen
Modules tilt [°]	90
Annual FV production [kWh]	8600

BIPV SYSTEM COSTS

Stakeholders

Main building designer

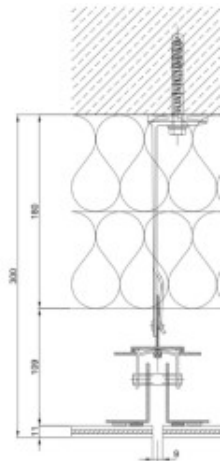
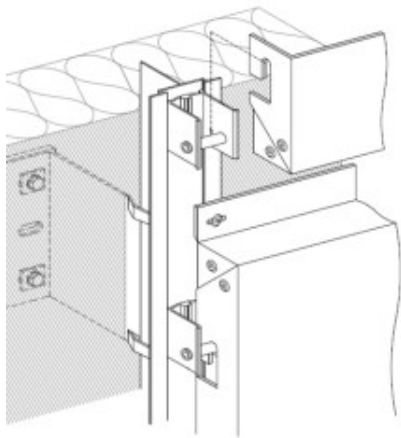
Pilhatsch. Löwnau Partner Architekten

BIPV components producer

Sunovation GmbH
Glanzstoffstraße 21, Elsenfeld, Deutschland
info@sunovation.de +49(0) 6022 / 26573-0
<https://sunovation.de/de>

Collaborators

prüTec - Planungsbüro für Energie - & Haustechnik GmbH



Case study author: