



Omicron Headquarter

Introduction

The new headquarter of Omicron in Vorarlberg presents a BIPV façade realized in the company colours.

([Sunovation](#))

Aesthetic integration

For the exclusive façade design, SUNOVATION combined colourful solar cells with special coloured glass, creating an architecturally sophisticated and colourfully homogenous surface. This is only opened by the specific structure of the solar cells and their reflections, through which an interesting contrast is created. A special highlight of the energy-producing designer facade is the integrated LED colour display in the company colours. At night, this highlights the facade spectacularly and reflects the affinity for technology and innovative power of the company.

Energy integration

The BIPV modules are estimated to produce around 66 MWh per year.

Technology integration

The façade consists of 510 high-efficiency glass-glass modules ([eFORM color](#)) and 90 LED glass elements (eFORM LED) that are specially authorised for vertical installation in the façade. The substructure consists of an extruded section measuring approx. 1,000m and over 1,200 retaining brackets, embedded in the wooden wall. The design as a "structural glazing" bonded joint enables a frameless suspension of the glass elements on the retaining profile that are each suspended at 4 points in so-called "bolt slides" in the substructure.

Decision making

The client planned for its head office in Vorarlberg an innovative and sustainable facade in its blue, red and yellow logo colours. For this purpose, a glass facade with blue as the main colour has been designed with embedded solar cells.

PROJECT DATA

Project type	new construction
Building use	office
Building address	Oberes Ried 1, Klaus, Austria

BIPV systems

BIPV SYSTEM DATA

Architectural system	facciata ventilata
Integration year	2015
Active material	silicio cristallino
Module transparency	opaque
Module technology	glass-glass, hidden PV, customized modules
System power [kWp]	92
System area [m²]	780
Modules orientation	sud-ovest
Modules tilt [°]	90
Annual FV production [kWh]	66000

BIPV SYSTEM COSTS

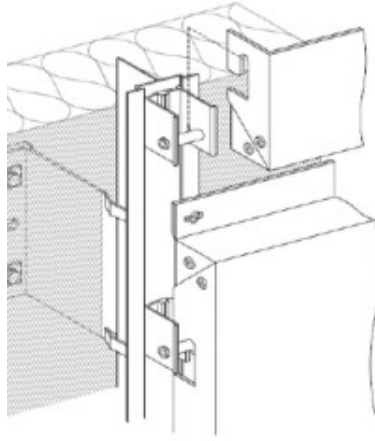
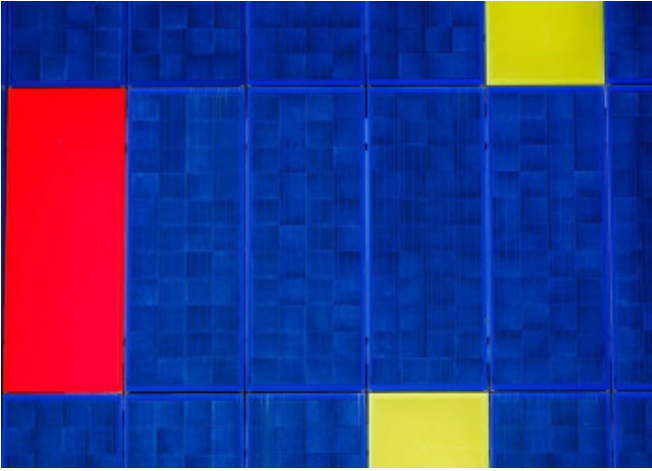
Stakeholders

Main building designer

Dietrich | Untertrifaller

BIPV components producer

Sunovation GmbH
Glanzstoffstraße 21, Elsenfeld, Germania
info@sunovation.de +49(0) 6022 / 26573-0
<https://sunovation.de/en/>



Case study author: